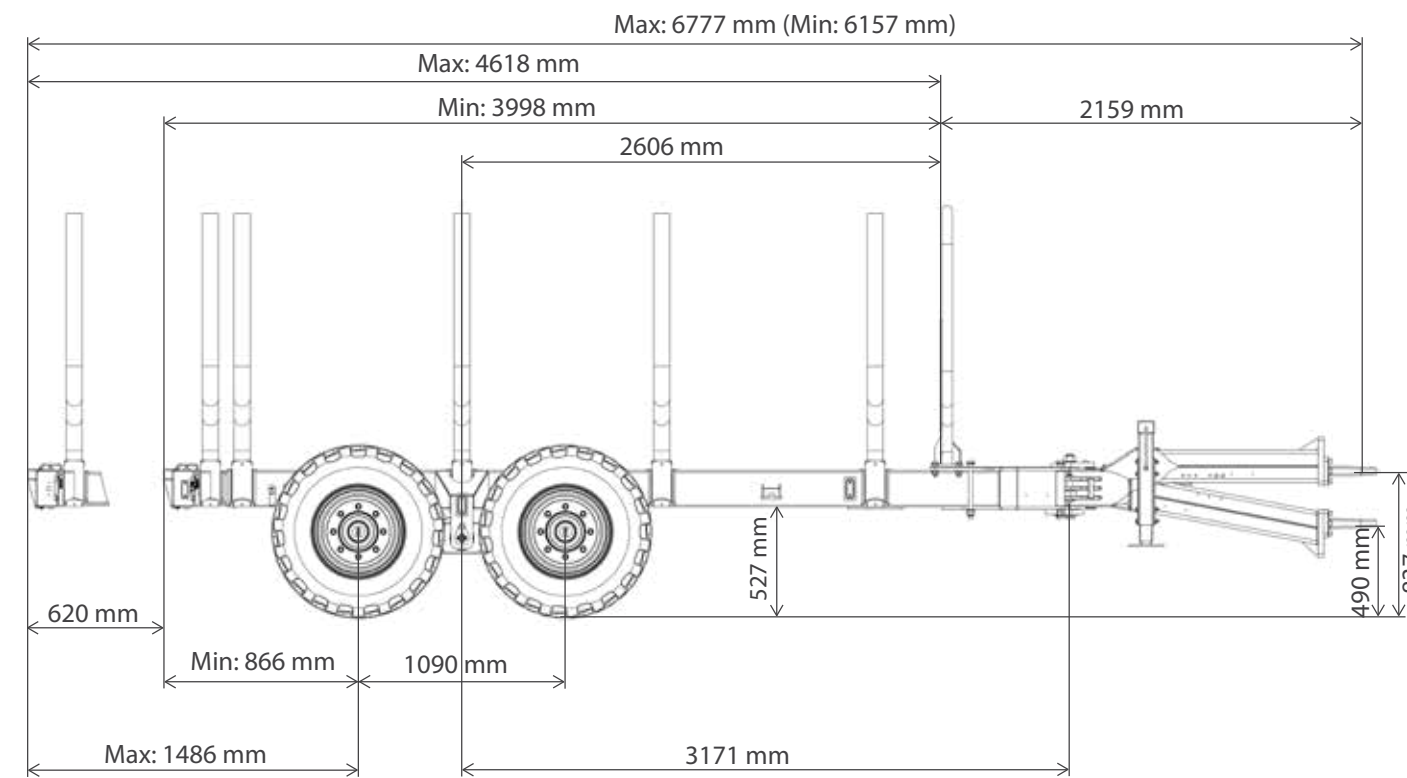
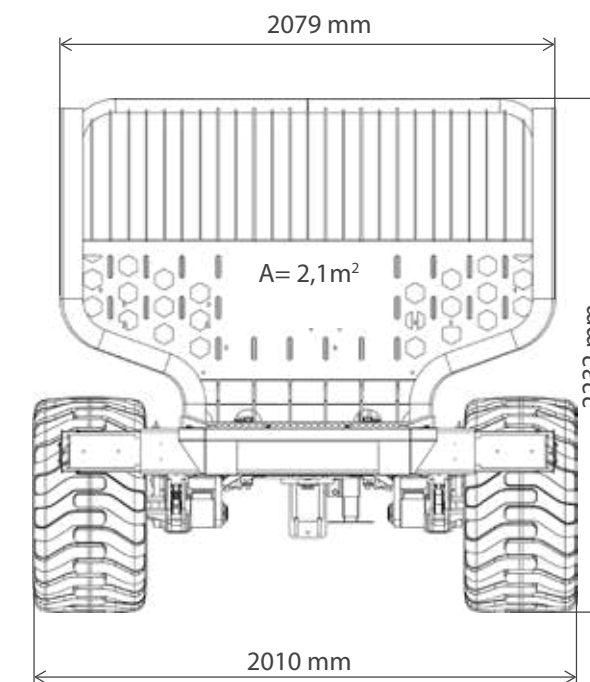


GAP 90	
Gross weight	9000 kg
Load Capacity (without crane)	~ 7100 kg
Own weight	~1900 kg
Tires	400/60-15.5 14PR (6 screws)
Base frame / Chassis	180 x 180 x 6 mm
Bolsters	3 pairs (possibility to buy additional bolsters)
Total height of bolsters	1410 mm
Bolster diameter external / internal / thickness	~ 90/72/9 mm
Length of loading area (Standard loading area extension)	~ 3998-4618 mm
Height of coupling (from the ground)	Lower drawbar: ~ 490 mm
	Upper drawbar: ~ 837 mm
Length x width; Standard loading area extension (With standard tires)	~ 6157-6777 x 2030 mm
Hydraulic steering	Hydraulic guiding 2x cylinder
Drawbar angle	+/-30°
Working pressure	Max. 180 bar
Drive requirements	80 HP / 3,5 t



Wheels (tire, rim and valve protection) 400/60-15.5/14PR



FORESTRY CRANE DOT 45K

NEW



on forestry trailer
GAP 90

EXTENSION OF THE LOADING AREA

The GAP 90 Forestry Trailer standard equipment includes a mechanical extension of loading area.

ADDITIONAL BOLSTERS

VARIOUS COUPLINGS

BRAKES

You can choose from various configurations:

- Hydraulic braking system
- Pneumatic braking system

These can be applied to one pair of wheels or both pairs of wheels, as a single-circuit or dual-circuit system. For GAP 90, an overrun brake is also available.

PLATFORM FOR THE USER
for safe and transparent operating.

Tajfun Planina d.o.o.
Planina pri Sevnici 41A
SI-3225 Planina pri Sevnici
Slovenija

+386 (0)3 746 44 00
export@tajfun.com
www.tajfun.com

Tajfun Planina d.o.o., valid from August 1st, 2024, we reserve the right to make any changes!



DOT 45K

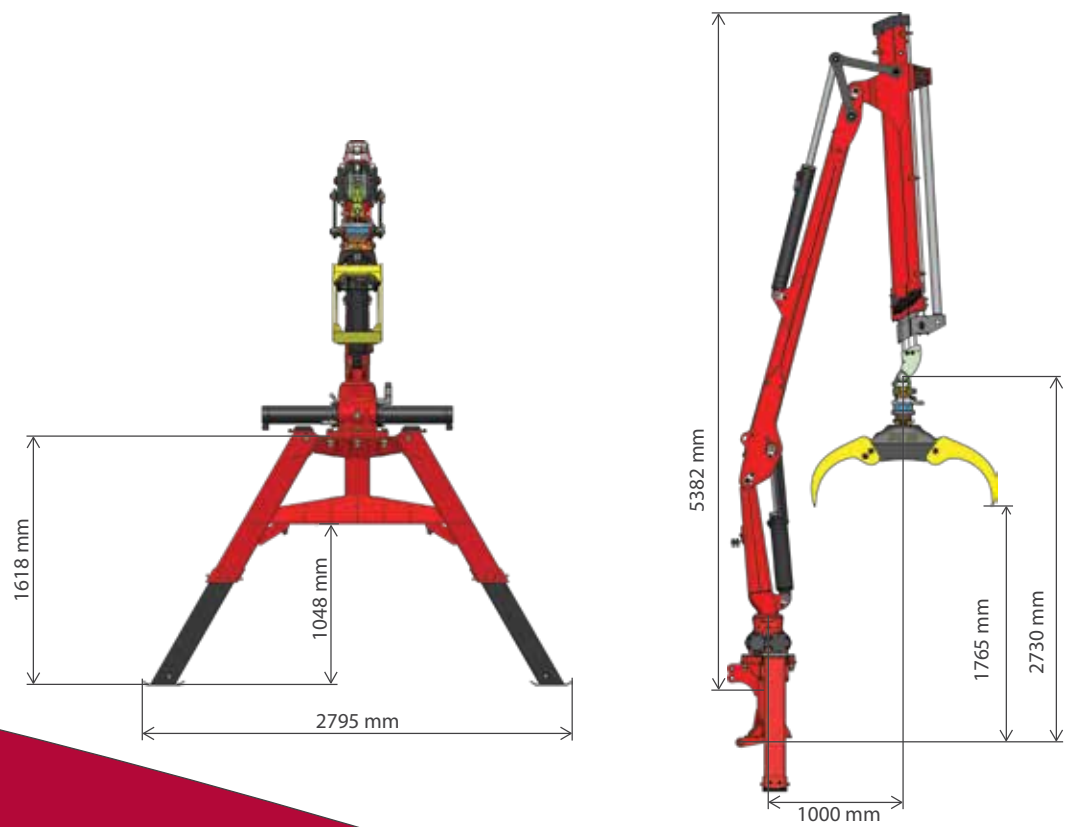
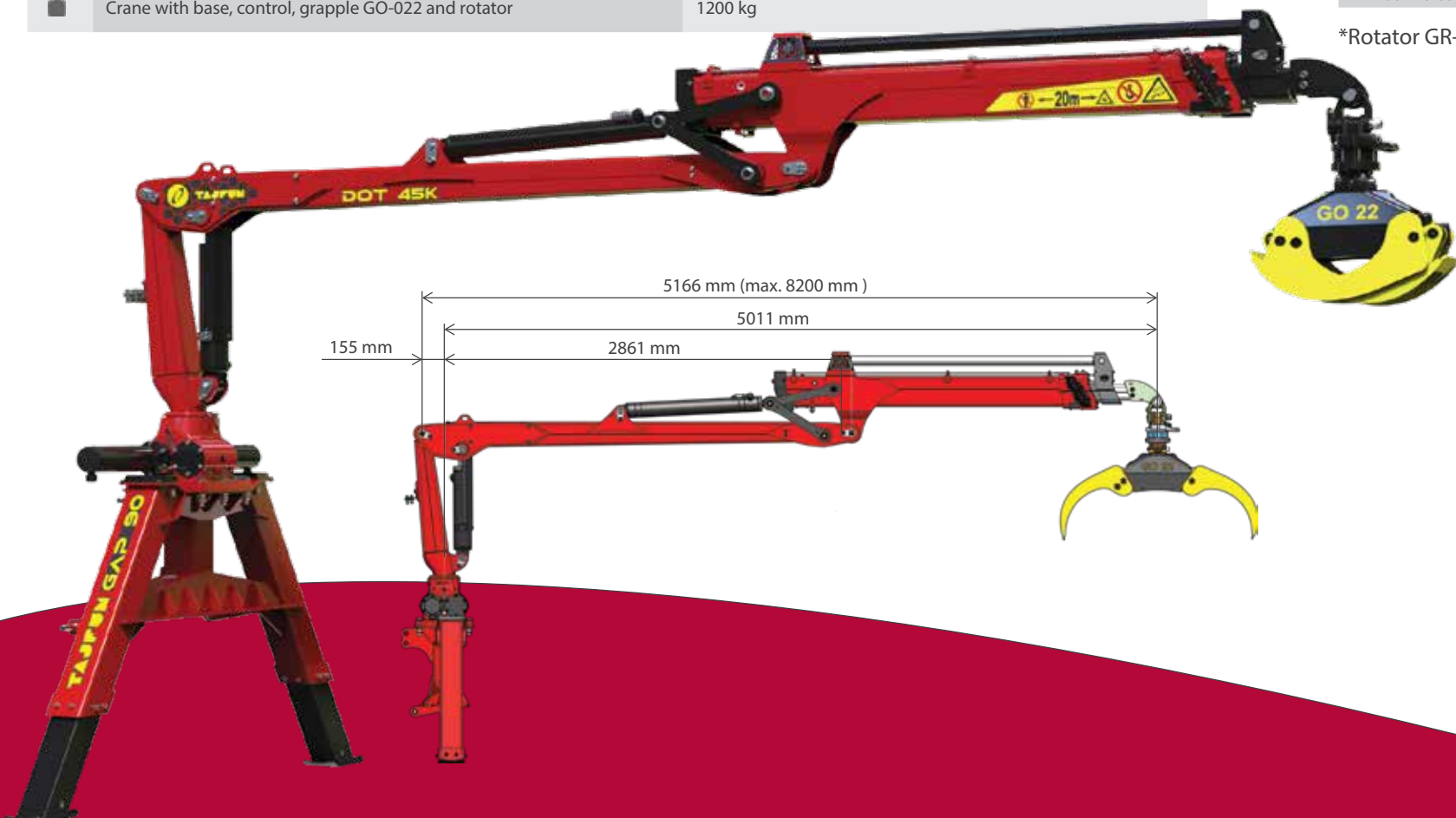
T_m	Net lifting torque	45 kNm
T_m	Gross lifting torque	55 kNm
	Slewing angle	390°
	Drive	Tractor hydraulics – hydromotor
	P.T.O. Shaft Speed (In the case of the crane version with its own hydraulic system - not possible with underframe "A")	from 400 min ⁻¹ to 600 min ⁻¹
	Pump capacity	min 40 l/min
	Working pressure	180 bar or 215 bar
	Max. reach	8200 mm
	Net slewing torque / Net slewing torque with two additional cylinders	10 kNm / 19 kNm
	Telescopic boom length	2900 mm
	Crane without underframe and control	750 kg
	Grapple with rotator GO-022 (standard equipment)	135 kg
	Grapple with rotator GO-026X (optional equipment)	194 kg
	Crane with base, control, grapple GO-022 and rotator	1200 kg

Forestry crane DOT 45K has a two-stage telescope boom with 8.2 m of reach.

		m	3	4	5	6	7	8
DOT 45K	at 180 bar	kg	1340	990	780	645	540	470
	at 210 bar	kg	1650	1230	980	810	680	570

		m	3	4	5	6	7	8
DOT 45K	GO-022*	kg	1205	855	645	510	405	335
	at 180 bar	kg	1146	796	586	451	346	276
DOT 45K	GO-022*	kg	1205	1095	845	675	545	435
	at 210 bar	kg	1456	1036	786	616	486	376

*Rotator GR-463 included



CONTROL OPTIONS

Only the best for our forestry cranes

Mechanical control



Two lever EURO control

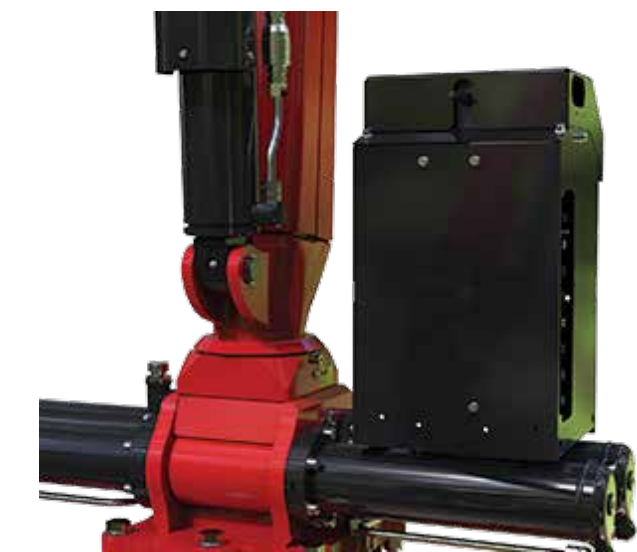


With 2 electric ON-OFF valves

Electro-proportional hydraulic control

- The electro-proportional controls are independent of the valve, making them suitable for all PWM valves.
- All system variants operate independently of each other but share the same base.

8-section electro-proportional hydraulic valve allows precise control. Available with various control consoles:



Electro-proportional control Danfoss with console and 2 joysticks



Electro-proportional control Danfoss with radio remote control Scanreco



Electro-proportional control Danfoss with 2 separate joysticks

ROBUST STABILIZER LEGS

ensure a stable setting even on an uneven work terrain.

A ROBUST TURNING SYSTEM

with rack and two cylinders.

INTEGRATED HYDRAULIC HOSES

All hydraulic hoses integrated into the lifting arm and swingarm.

OWN HYDRAULIC SYSTEM or TRACTOR HYDRAULICS – HYDROMOTOR

A FOUR-JOINT TAJFUN K MECHANISM

on the restraint between the lifting and the swinging arm provides for excellent work characteristics of the crane.

PERFECT MANIPULATION OF RAW WOOD MATERIALS

Efficiency and impressive productivity with every movement of the logs!